

Stainless Steel- Indexing plungers

AISI 316 (A4), with and without rest position

SPECIFICATION

Types

- Type **B**: without rest position, with Plastic-Knob, without lock nut
- Type **BK**: without rest position, with Plastic-Knob, with lock nut
- Type **BN**: without rest position, with Stainless Steel-Knob, without lock nut
- Type **BKN**: without rest position, with Stainless Steel-Knob, with lock nut
- Type **C**: with rest position, with Plastic-Knob, without lock nut
- Type **CK**: with rest position, with Plastic-Knob, with lock nut
- Type **CN**: with rest position, with Stainless Steel-Knob, without lock nut
- Type **CKN**: with rest position, with Stainless Steel-Knob, with lock nut

Stainless Steel AISI 316 **A4**

Plunger pin chemically nickel plated

Knob

Plastic (Type B / BK / C / CK)

Polyamide (PA)

black, matte

Stainless Steel (Type BN / BKN / CN / CKN)

AISI 316

not removable

Spring

Stainless Steel AISI 316 Ti



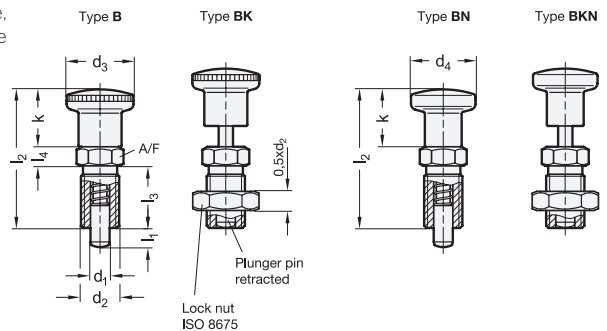
TECHNICAL INFORMATION

- Load rating information (see page A42)
- ISO-Fundamental Tolerances (see page A21)
- Stainless Steel characteristics (see page A26)
- Plastic characteristics (see page A2)

INFORMATION

GN 818 Stainless Steel-Indexing plungers are set apart by the materials used, allowing these plungers to withstand particularly corrosive environments.

Indexing plungers with a rest position are used for such applications where the plunger has to stay in its retracted position. In that case, the knob is retracted and afterwards turned by 90°. A notch keeps the plunger in this position.



* Complete with type index of the Indexing plungers (B, BK, BN, BKN)

B BK BN BKN

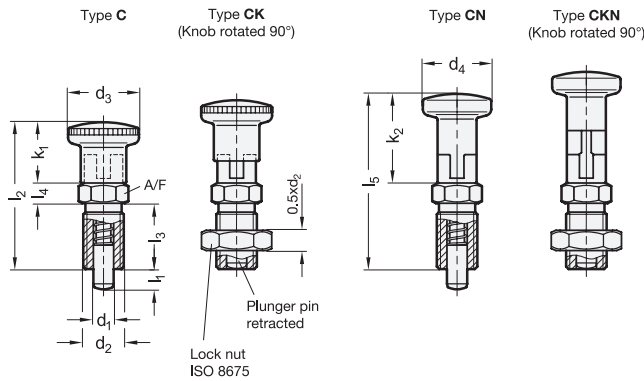
GN 818-B/BK/BN/BKN

STAINLESS STEEL

Description	d1 Pin -0.02/ -0.05 Bore H7	l1	d2	d3	d4	k	l2	l3	l4	A/F	Spring load in N ≈ initial	Spring load in N ≈ end	⚖
GN 818-4-4-*-A4	4	4	M8x1	16	16	14	35	16	5	10	3.5	11	10
GN 818-4-6-*-A4	4	6	M8x1	16	16	14	35	16	5	10	3	11	12
GN 818-5-5-*-A4	5	5	M10x1	19	18	16	40	18	6	12	3	12	20
GN 818-5-8-*-A4	5	8	M10x1	19	18	16	40	18	6	12	3	14	22
GN 818-6-6-*-A4	6	6	M12x1.5	23	22	20	48	22	6	14	4.5	16	29
GN 818-6-9-*-A4	6	9	M12x1.5	23	22	20	48	22	6	14	4	20	31
GN 818-8-8-*-A4	8	8	M16x1.5	28	27	24	58	26	8	17	6	23	63
GN 818-8-12-*-A4	8	12	M16x1.5	28	27	24	58	26	8	17	7	26	66
GN 818-10-12-*-A4	10	12	M16x1.5	28	27	24	58	26	8	17	7.5	32	64
GN 818-12-15-*-A4	12	15	M20x1.5	33	32	28.5	71.5	33	10	22	9	32	129

Weight type B





* Complete with type index of the Indexing plungers (C, CK, CN, CKN)

C CK CN CKN

GN 818-C/CK/CN/CKN

STAINLESS STEEL

Description	d1 Pin -0.02/ -0.05 Bore H7	l1	d2	d3	d4	k1	k2	l2	l3	l4	l5	A/F	Spring load in N ≈ initial	Spring load in N ≈ end	
GN 818-4-4-*-A4	4	4	M8x1	16	16	14	20	35	16	5	41	10	3.5	11	11
GN 818-4-6-*-A4	4	6	M8x1	16	16	14	22	35	16	5	43	10	3	11	12
GN 818-5-5-*-A4	5	5	M10x1	19	18	16	24	40	18	6	48	12	3	12	21
GN 818-5-8-*-A4	5	8	M10x1	19	18	16	27	40	18	6	51	12	3	14	24
GN 818-6-6-*-A4	6	6	M12x1.5	23	22	20	29	48	22	6	57	14	4.5	16	32
GN 818-6-9-*-A4	6	9	M12x1.5	23	22	20	32	48	22	6	60	14	4	20	33
GN 818-8-8-*-A4	8	8	M16x1.5	28	27	24	35	58	26	8	69	17	6	23	67
GN 818-8-12-*-A4	8	12	M16x1.5	28	27	24	39	58	26	8	73	17	7	26	69
GN 818-10-12-*-A4	10	12	M16x1.5	28	27	24	41	58	26	8	75	17	7.5	32	70
GN 818-12-15-*-A4	12	15	M20x1.5	33	32	28.5	46.5	71.5	33	10	89.5	22	9	32	141

Weight type C